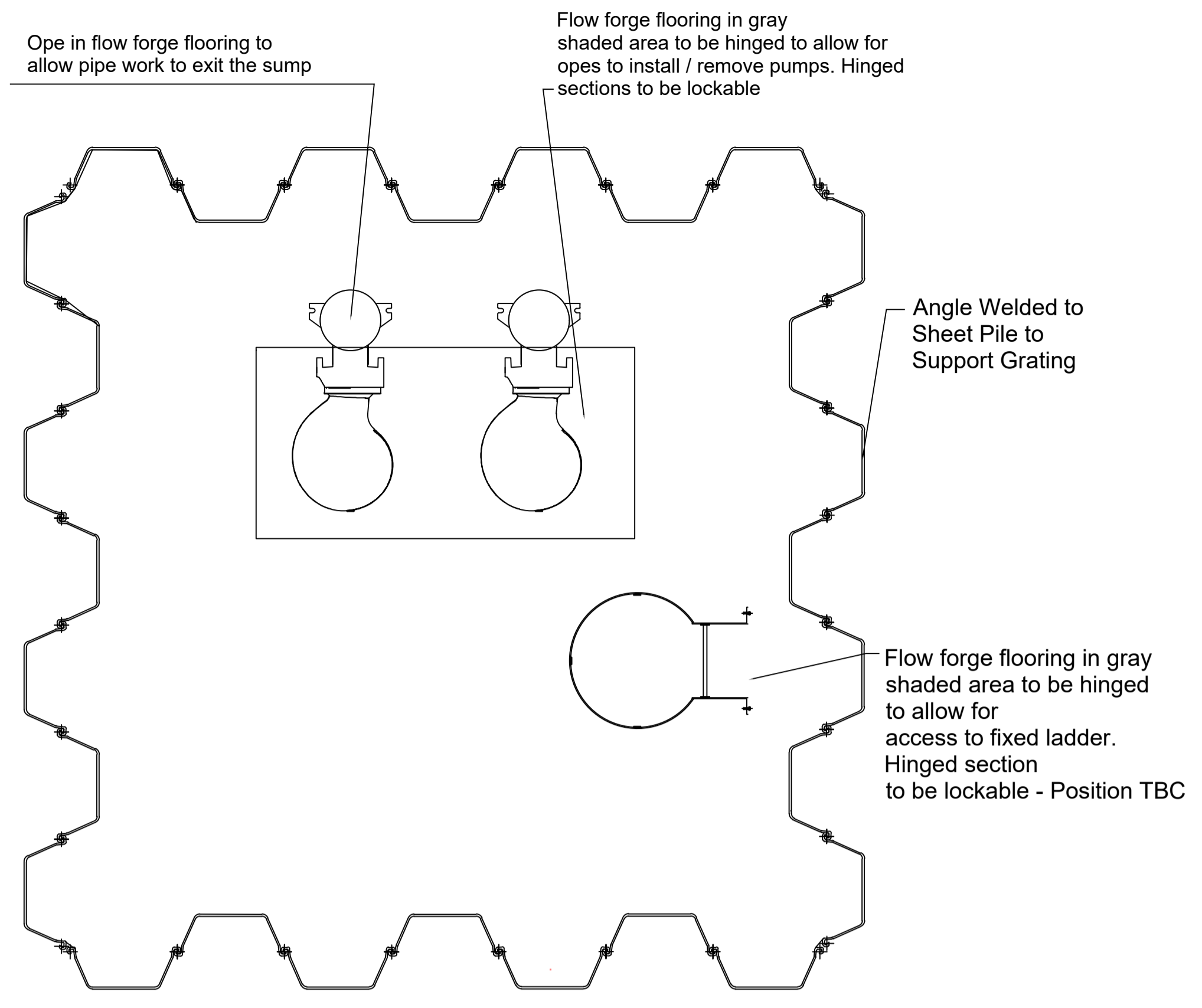
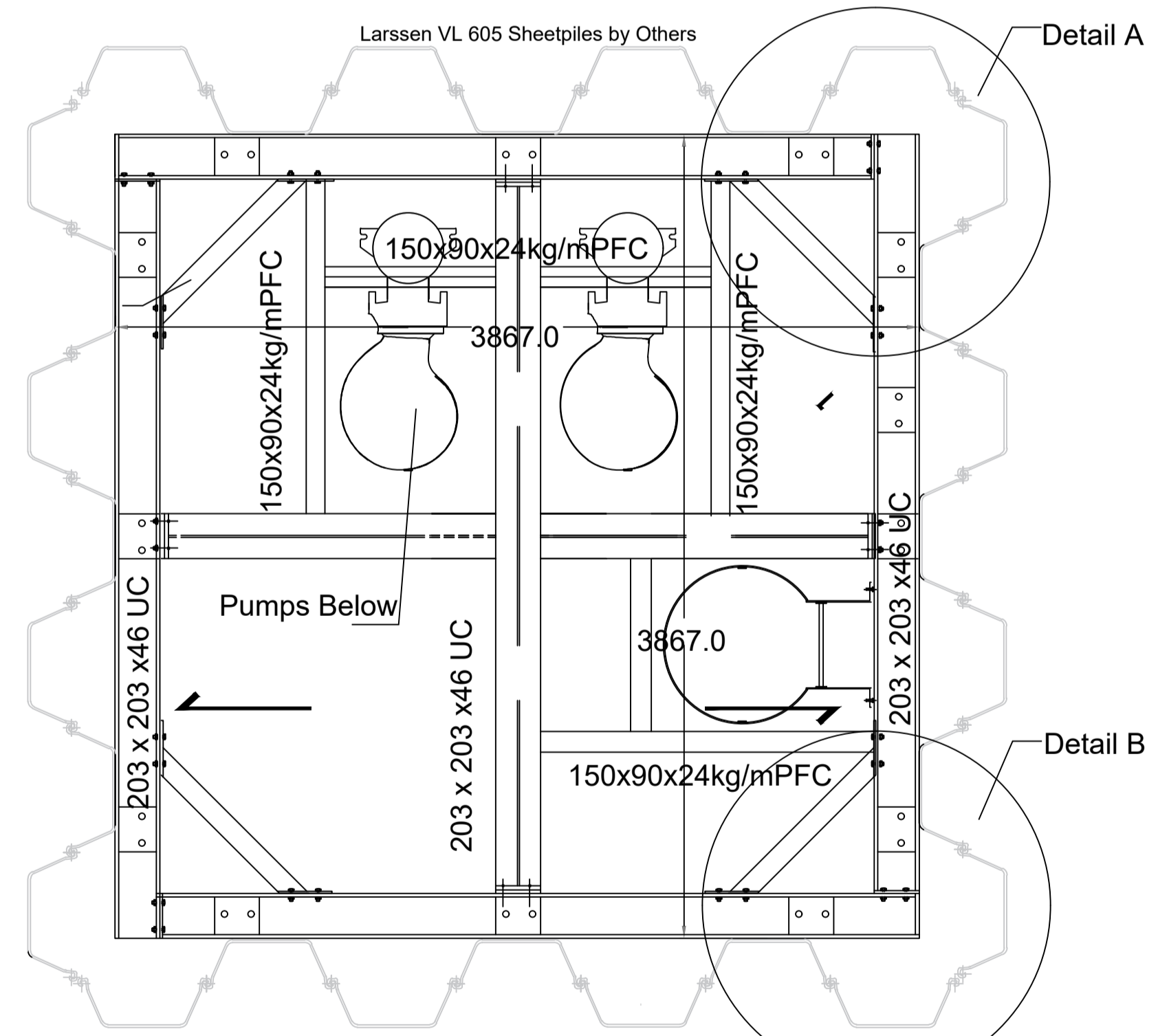


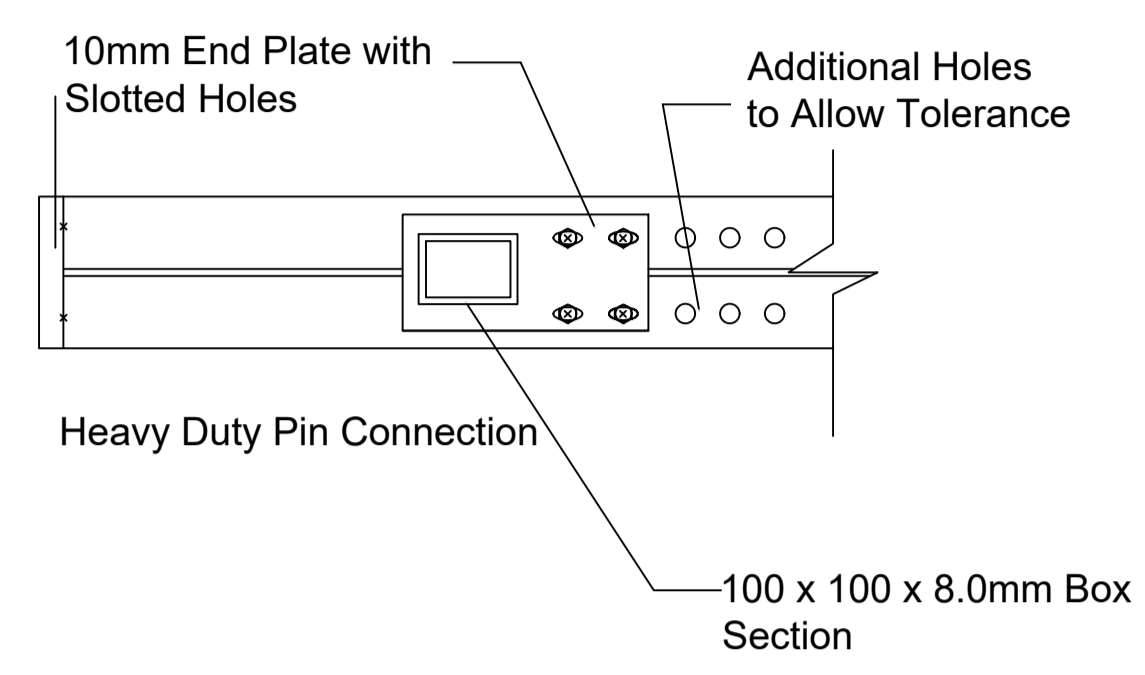
ELEVATION OF COFFERDAM
Scale: 1:25



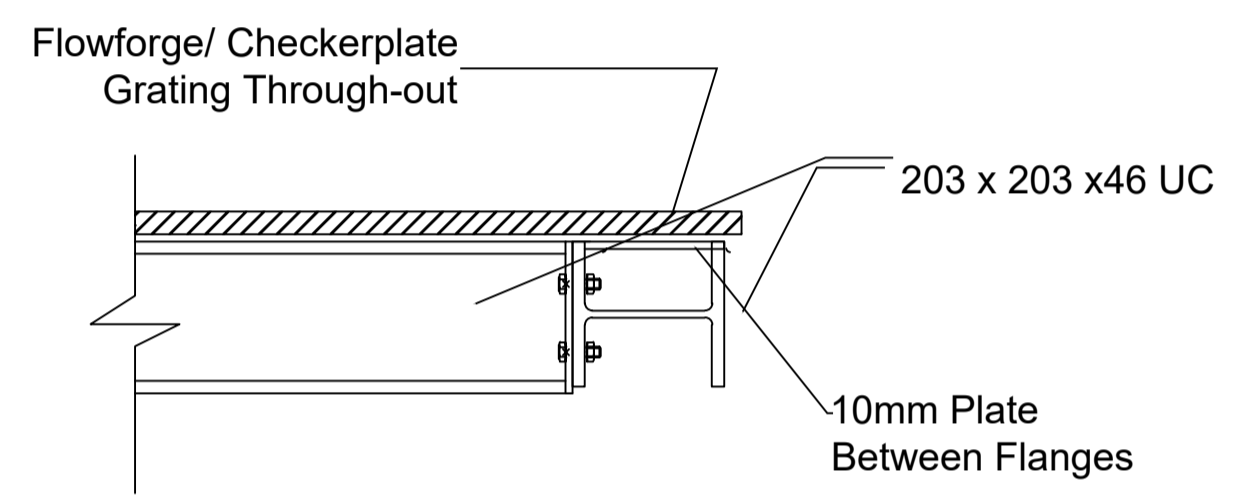
BASE FRAME DETAIL - SECTION A-A
Scale: 1:25



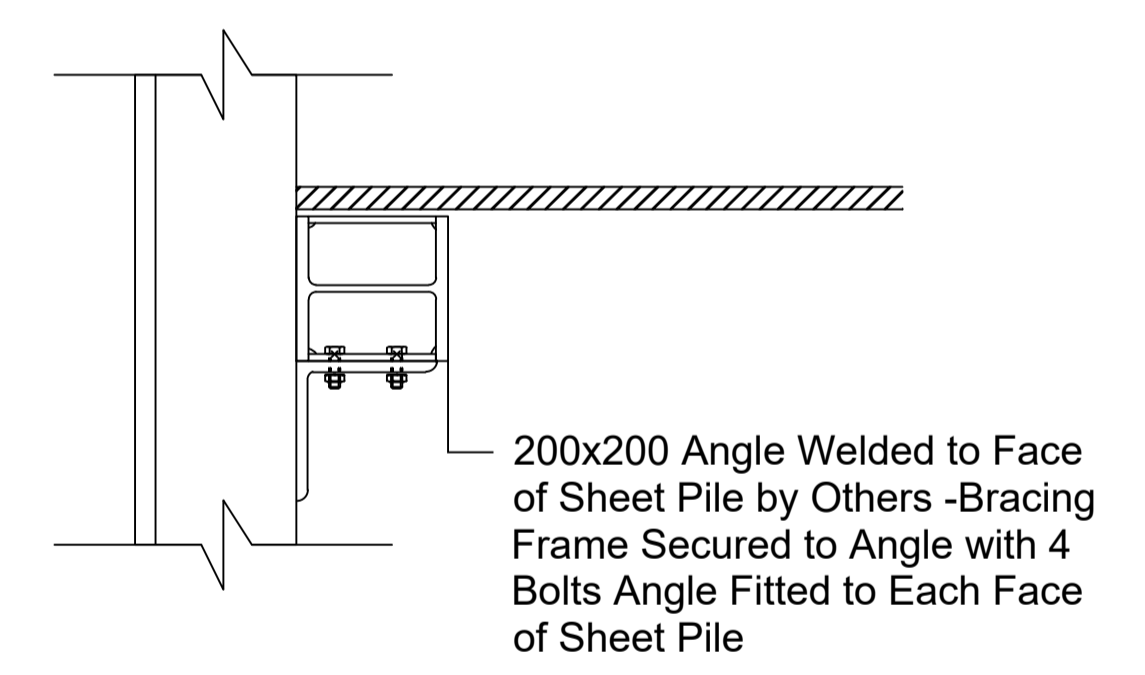
BASE FRAME DETAIL - SECTION B-B
Scale: 1:25



DETAIL A
Scale: 1:5



DETAIL B
Scale: 1:5



BRACING SUPPORT DETAIL
Scale: 1:5

If Applicable : Ordnance Survey Ireland Licence No. EN 0001220 © Ordnance Survey Ireland and Government of Ireland



No part of this document may be reproduced or transmitted in any form or stored in any retrieval system of any nature without the written permission of Fehily Timoney & Company as copyright holder except as agreed for use on the project for which the document was originally issued. Do not scale. Use figured dimensions only. If in doubt - Ask!

Rev.	Description	App By	Date
P01	ISSUE FOR APPROVAL		

PROJECT	LITTLETON PEAT EXTRACTION SUBSTITUTE CONSENT			CLIENT	BORD NA MÓNA ENERGY LTD		
SHEET	COFFERDAM PUMP SITE DETAILS			Date	16.04.26	Project number	P23-035
				Drawn by	EB	Drawing Number	P23-035-0102-0004
				Checked by	JH	Scale (@ A1)	As Shown
						Rev	P01

0:\ACAD\2023\P23-035\P23-035-0102-0004

16 April 2026 (O:\ACAD\2023\P23-035\P23-035-0102-0004)